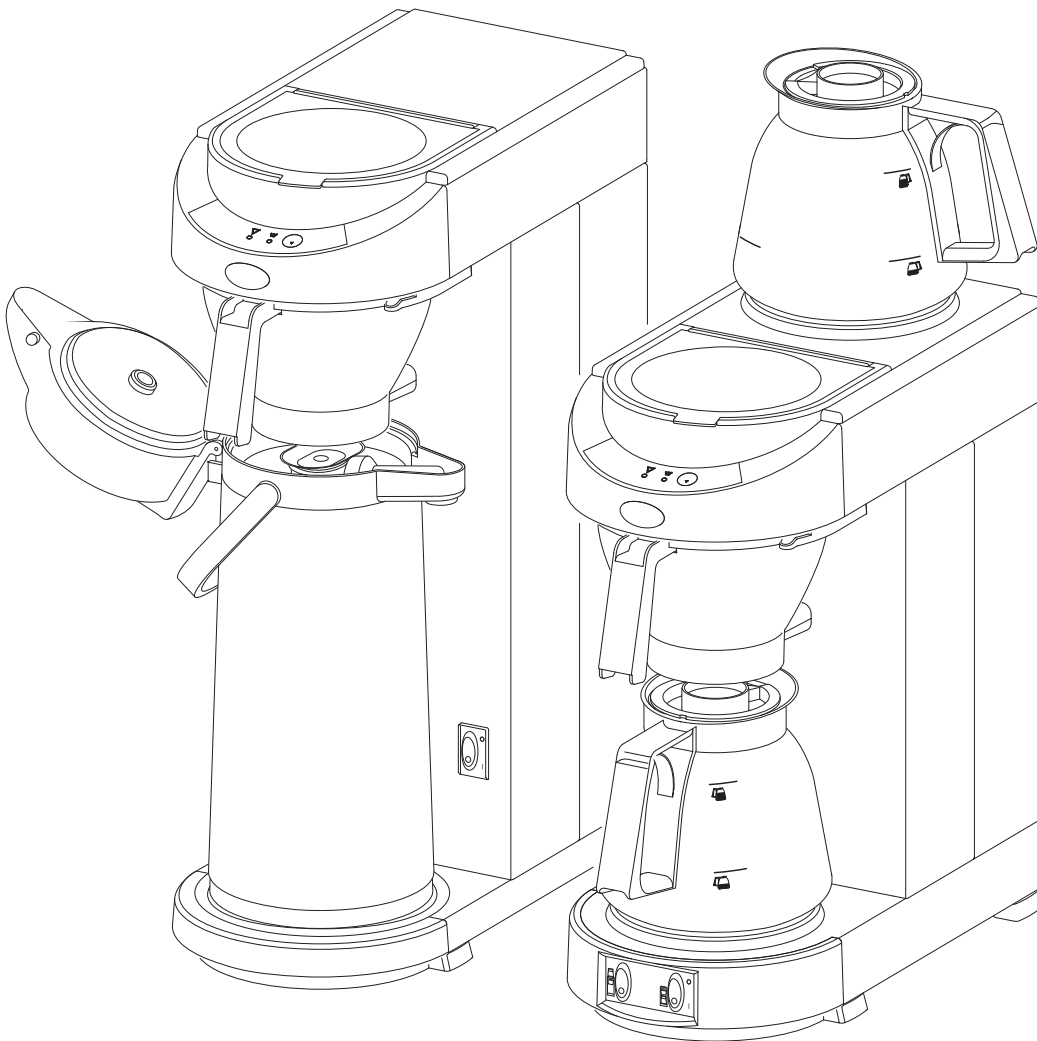


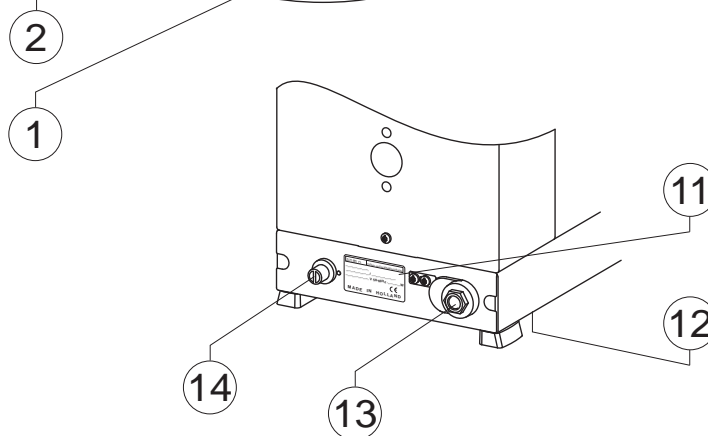
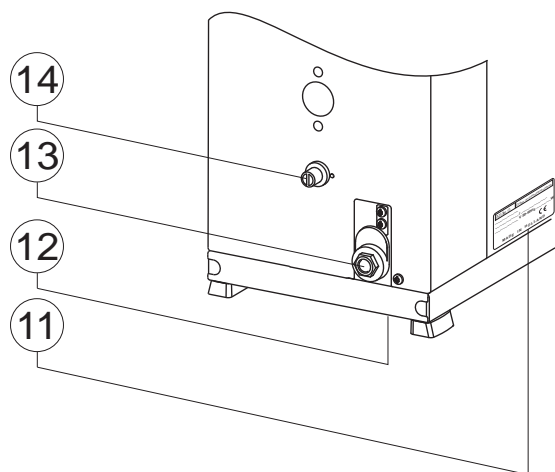
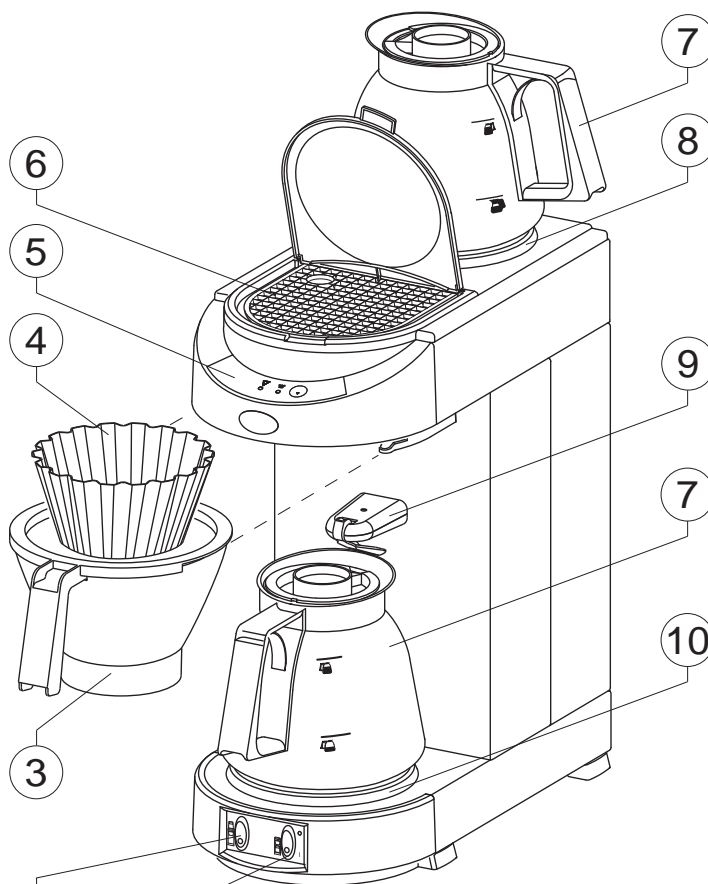
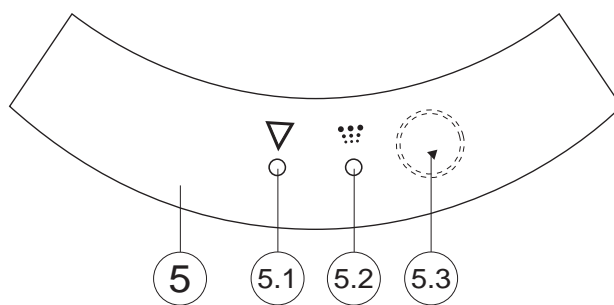
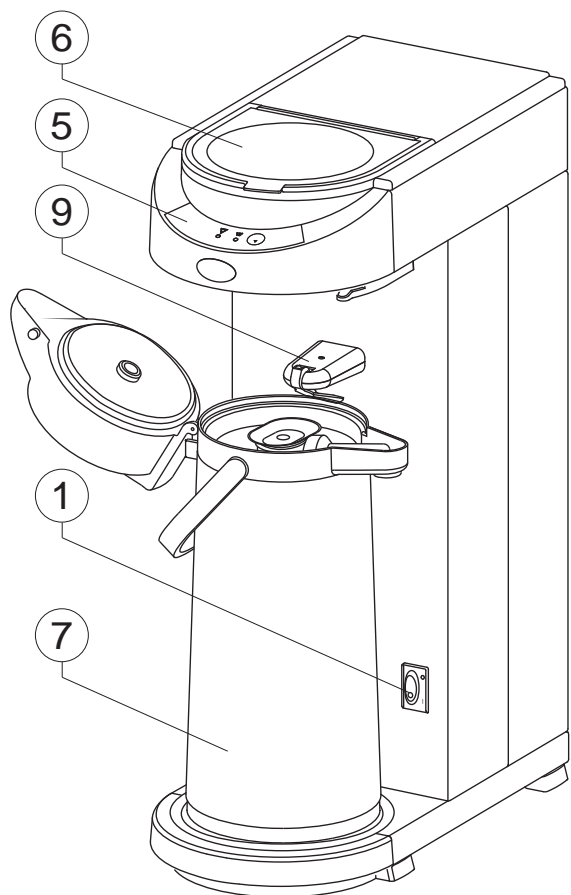
# Animo®

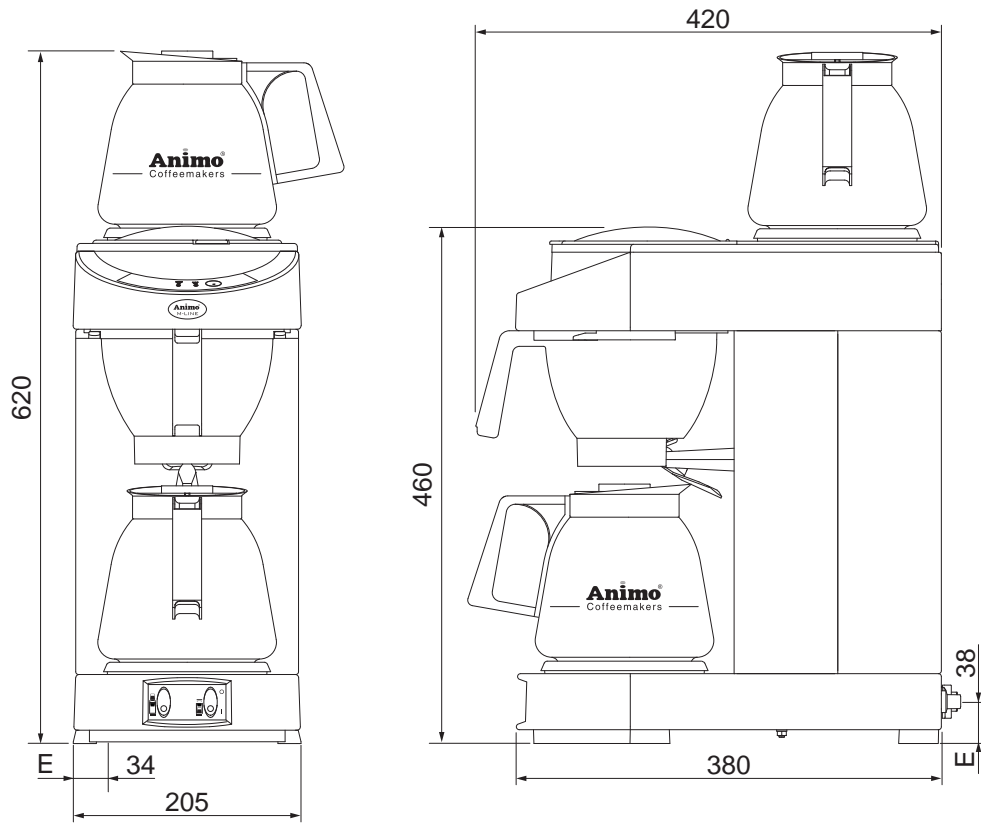
## M-LINE

M100, M102,  
MT100, MT100v

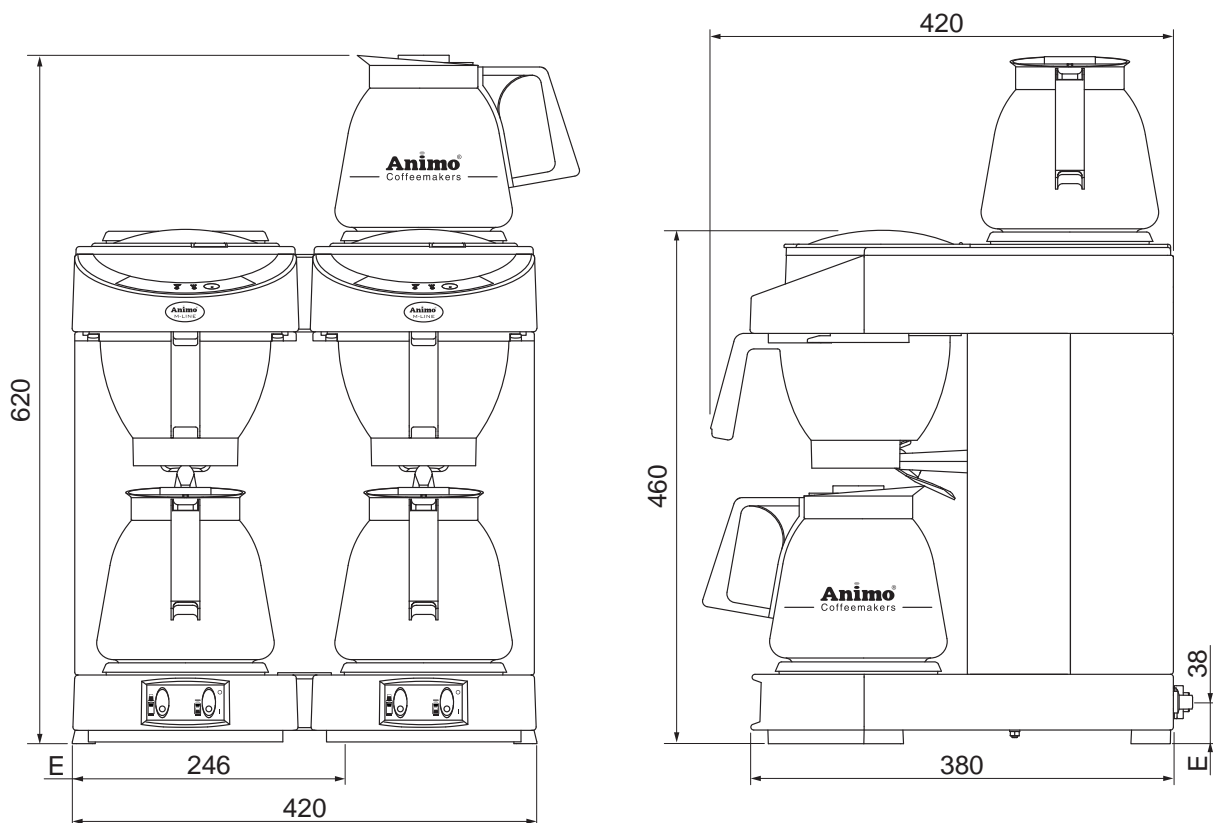


- Ⓝ Gebruiksaanwijzing
- Ⓒ Manual
- Ⓓ Betriebsanleitung
- Ⓕ Mode d'emploi

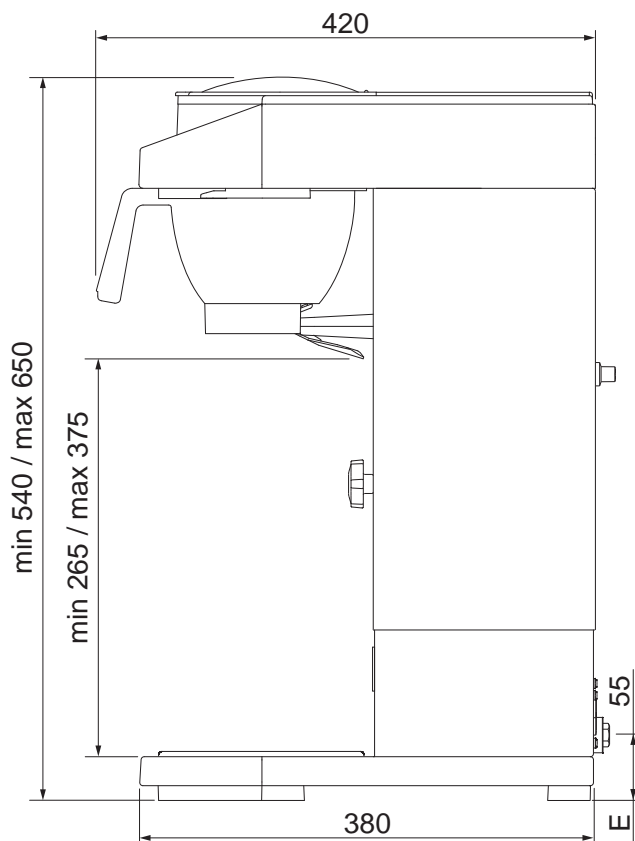
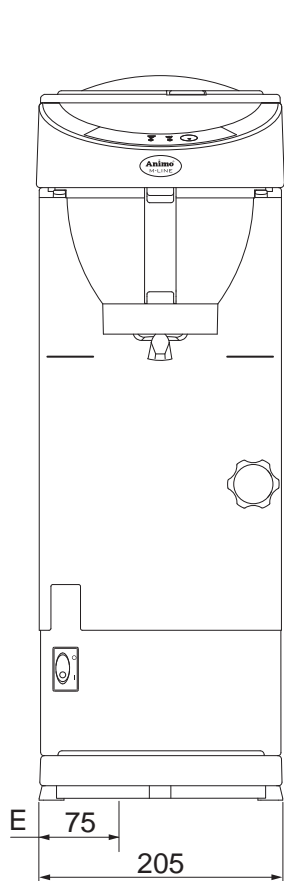




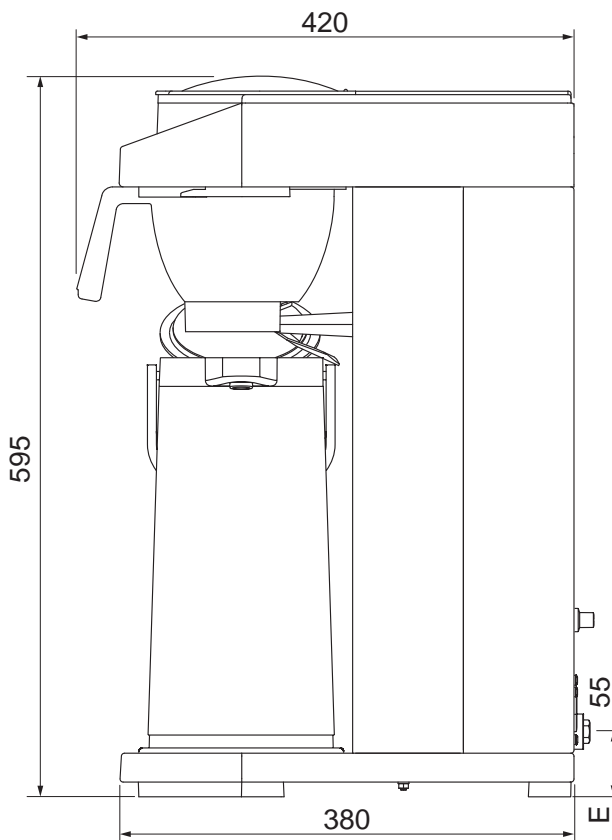
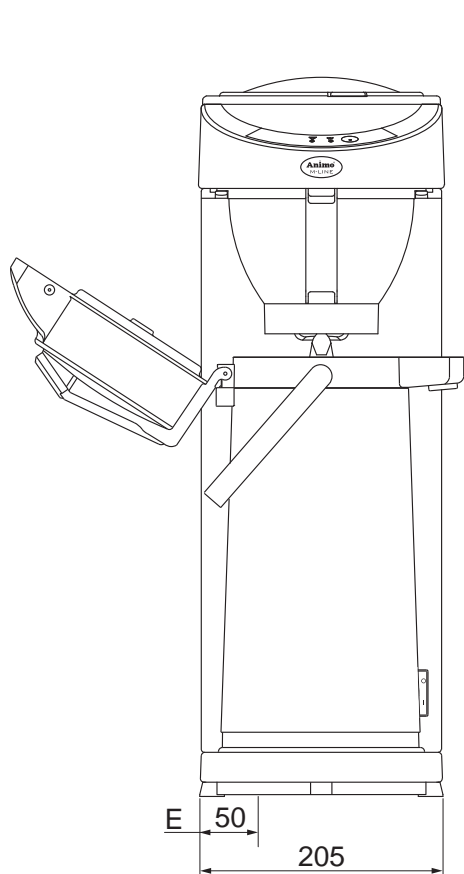
M100 fig. 1 / Abb. 1



M102 fig. 2 / Abb. 2



MT100 fig. 3/Abb. 3



MT100v fig. 4/Abb. 4

**TABLE OF CONTENTS**

Preface .....	21
Introduction .....	22
Safety instructions and danger warnings .....	23
Safeguards .....	24
Appliances and the environment .....	26
<b>1. General .....</b>	<b>26</b>
1.1 A quick look at the appliance .....	26
1.1.1 Most important parts .....	26
1.1.2 Control panel .....	26
<b>2. Technical details .....</b>	<b>27</b>
<b>3. Installation .....</b>	<b>27</b>
3.1 Unpacking .....	27
3.2 Installation .....	28
3.2.1 Preparation for positioning the appliance .....	28
3.2.2 Electrical connection .....	28
3.2.3 Water drainage .....	28
3.2.4 First time use .....	28
3.2.5 Height setting model MT200v .....	29
3.2.6 Setting the descale indicator .....	30
3.2.7 Resetting the descale indicator light .....	30
<b>4. Daily use .....</b>	<b>31</b>
4.1 Drip stop .....	31
4.2 Coffee quantity .....	31
4.3 Making coffee .....	32
4.4 Making tea .....	32
4.5 Termination of the brewing process? .....	32
<b>5. Settings .....</b>	<b>33</b>
5.1 Setting of the prewet function .....	33
<b>6. Maintenance .....</b>	<b>34</b>
6.1 Cleaning of the appliance and accessories .....	34
6.1.1 Removing coffee deposits from glass jug and filter .....	34
6.1.2 Removing coffee deposits from thermos jug .....	34
6.2 Descaling .....	35
6.2.1 Switching-off the descaling indicator light .....	35
<b>7. Troubleshooting .....</b>	<b>36</b>
<b>8. Ordering consumer articles and accessories .....</b>	<b>38</b>

© 2009 Animo®

All rights reserved.

No part of this document may be reproduced and/or publicized by means of printing, microfilm, electronic or any other means whatsoever without the prior written permission of the manufacturer. This also applies to the accompanying drawings and/or diagrams.

Animo reserves the right to change parts at any time without giving prior or direct notification to the customer. The contents of this manual can also be changed without prior notification.

This manual covers the standard model of the appliance. Animo can therefore not be held liable for any losses arising from the fact that the specifications of the appliance supplied to you deviate from the standard model. Please contact your supplier's service department for information concerning adjustment, maintenance or repairs not covered by this manual.

Although this manual was produced with the greatest possible care, the manufacturer is unable to accept liability for errors in this document or their consequences.

**You are advised to carefully read the instructions in this document: they contain important information about safety when installing, using and maintaining the appliance. Keep this document in a safe place so that you can consult it when necessary.**

---

## Preface

### Purpose of this document

This document serves as a manual that enables qualified personnel to safely install, program and maintain the coffee maker.

- 'Qualified personnel' are defined as people that can program the appliance, perform maintenance on it and repair minor faults.

All of the chapters and paragraphs are numbered. The various illustrations to which the text refers are given in the fold-out sheets or at the back of this booklet or under the particular subjects.

### Icons and symbols



#### **NOTICE**

General instruction for: IMPORTANT, NOTE or REMARK.



#### **CAUTION !**

Warning of possible damage to the appliance, the surroundings or the environment.



#### **WARNING**

Warning of possible serious damage to the appliance or physical injury.



#### **WARNING**

Warning of electricity hazard.



## Safety instructions and danger warnings

This appliance meets the mandatory safety regulations. Inexpert use can result in personal injury and material damage. The following warnings and safety instructions must be observed before using the coffee maker.

### Instructions for use

Read these instructions for use carefully, before using this appliance. This will protect your safety and prevent damage being caused to the appliance. Perform the various actions in the order given. Always keep this manual close by the appliance.

### Installation

- Place the appliance at buffet height and on a firm, level base, in such a way that it can be connected to the power supply.
- Connect the appliance to an earthed wall socket.
- Position the appliance in such a way that no damage can be caused if it leaks.
- Do not tilt the appliance, always position and move the appliance upright.
- The coffee maker is fitted with an overflow device that discharges at the bottom of the appliance - take this into account when positioning the appliance.
- Water always remains in the heating system: for this reason the appliance must not be placed in an area where the temperature can fall below freezing point.
- When installing the appliance, always observe the local rules and use approved materials and parts.
- The 'Installation' chapter must again be followed when repositioning the appliance.

### Usage

- Inspect the appliance before using it and check it for damage.
- Never submerge or spray the appliance.
- Do not press the buttons with a sharp object.
- Protect the controls against dirt and grease.
- It is advisable to take the plug out of the socket and close the water tap if the appliance is not going to be used for longer periods of time.

### Maintenance and troubleshooting

- Observe the descaling intervals indicated by the descaling indicator light. Overdue maintenance to the heating system can result in high repair costs and annulment of the guarantee.
- Always follow the manufacturer's instructions when using the descaling agent.
- Do not leave the appliance unattended when maintenance is being performed.
- When descaling the appliance, it is advisable to wear safety glasses and protective gloves.
- Never clean the hot plates (if present) with an abrasive or sharp object. This way scratches on the teflon surface will be prevented.
- Flush the appliance at least twice after descaling it.
- Wash your hands thoroughly after descaling the appliance.
- Always have repairs carried out by a qualified service engineer.



- The plug must be taken out of the socket if the appliance has to be opened for cleaning or repairs.

The manufacturer cannot be held liable for losses caused as a result of failure to observe these safety instructions.

## Safeguards

The appliance is fitted with the following safeguards:

### Dry-boil protection (14)

This appliance is equipped with a dry-boil protection. This protection triggers if the heating element overheats owing to a fault. Once the fault has been resolved, the dry-boil protection can be reset at the back of the appliance. The most common cause of the dry-boil protection being triggered is not descaling the heating system in time.

If the heating system does not switch back on, proceed as follows:

1. Allow the appliance to cool down.
2. Unscrew the protective cap.
3. Press the button which is now visible and firmly screw the protective cap back on.

If the dry-boil protection triggers owing to increased scale deposits, descale the appliance. See chapter 6.2 Consult your dealer if the fault was caused by a problem other than the dry-boil protection being triggered.

### On/off switch (1)

The on/off switch is used to switch the appliance on and off. Remember that the appliance can still be live after switching it off! For this reason you should always remove the plug from the socket to render the appliance voltage-free.

### Jug detector (9)

This appliance is fitted with a jug detector that operates the leak stop under the filter. This jug detector also ensures that the appliance only makes coffee if there is a jug under the filter. If the jug is removed during the coffee brewing process, the process will be interrupted and the filter will stop leaking.

## Appliances and the environment

### The packing material

Your new coffee maker has been carefully packaged to protect it against damage.

The packing is not harmful to the environment and consists of the following materials:

- Corrugated cardboard
- Filler elements made of polyurethane foam <PUR> covered with a polythene film (>PE-HD<). The waste processing plant in your municipality will be pleased to inform you about where you can dispose of the materials.

### Discarding the appliance

No appliance lasts forever. When the time comes to discard your appliance it will usually be possible to return it to your dealer. If this is not the case, ask your municipal council about the alternatives for recycling the materials. All plastic parts have been given standard codes. The parts of the appliance such as the printed circuit board and accompanying parts form electrical and electronic waste. The metal body is made of stainless steel and can be completely dismantled.

## 1. GENERAL

### 1.1 A quick look at the appliance

The most important parts of the appliance are shown in the fold-out sheet in this manual. Keep the fold-out sheet open when reading the instructions.

#### 1.1.1 Most important parts

- |   |                                |
|---|--------------------------------|
| 1. Appliance on/off switch coffee making section and bottom hot plate | 6. Water reservoir opening     |
| 2. On/off switch for top hot plate                                    | 7. Glass jug/thermos flask     |
| 3. Basket filter with drip stop device                                | 8. Top hot plate               |
| 4. Basket filter paper  | 9. Jug detector                |
| 5. Control panel coffee maker   | 10. Bottom hot plate           |
| 5.1 Descale indicator light   | 11. Type plate                 |
| 5.2 Brewing process indicator light                                   | 12. Water drain                |
| 5.3 Selection button  | 13. Connection cable with plug |
|   | 14. Dry-boil protection        |

#### 1.1.2 Control panel

The control panel has the following functions:

#### CAUTION !

- Never press de buttons with a sharp object.
- Protect the controls against dirt and grease.



**Descale indicator light (5.1);** The red indicator light will light up if the appliance needs to be descaled. The appliance will continue to work so that it can be descaled when it is not being used. See also chapter 6.2.



**Brewing process indicator light (5.2);** The green indicator light lights up when the coffee passes through the system. At the end of the coffee making process a signal sounds three times and the green indicator light goes out. The indicator light flickers if the jug is temporarily removed during the coffee making process. A signal will also sound indicating that the coffee making process has temporarily stopped.



**Programming button (5.3);** This key is made visible with a small triangle. This programme key is used exclusively to : set the appliance to the local water hardness. The red indicator light goes out when the appliance has been descaled. See chapter 6.2.1.



**Sound signals;** Sounds three times at the end of the coffee making process. Sounds once if the jug is removed during the coffee making process. A long signal sounds when the appliance is switched on.

## 2. TECHNICAL DETAILS

Model	M100	M102	MT100	MT100v
Article number	10500/10501/10502	10551	10520/10521/10522	10537
Buffer stock coffee	3.6 l./ 28 cups	7.2 l. / 56 cups	-	-
Hourly coffee capacity	18 l./144 cups	36 l./288 cups	18 l./144 cups	18 l./144 cups
Jug filling time	approx. 6 min.	approx. 8 min.	approx. 7,5 min./2.2 l.	approx. 7,5 min./2.2 l.
Content water reservoir	2,7 l.	2,7 l	2,7 l.	2,7 l.
Supply voltage	220-240V~	220-240V~	220-240V~	220-240V~
Frequency	50-60Cy	50-60Cy	50-60Cy	50-60Cy
Total output	2250W	3500W	2100W	2100W
Filter paper	90/250	90/250	90/250	90/250
Dimensions	See fig. 1	See fig. 2	See fig. 3	See fig. 4
Empty weight	7,3 kg.	13,1 kg.	6,9 kg.	8,9 kg.
Transport dim. (lxwxh)	600x275x530 mm	600x490x540 mm	440x270x670 mm	440x270x670 mm
Transport weight	9,6 kg.	17,9 kg.	9 kg.	11 kg.

*All technical details are subject to change*

## 3. INSTALLATION

### 3.1 Unpacking

The machine has been carefully packed to prevent damage being caused to your new coffee maker. Remove the packing carefully without using sharp objects. Check if the appliance is complete. The appliance is delivered with the following accessories:

	M100	M102	MT100	MT100v
Glass jug	2	4	-	-
Basket filter	1	2	1	1
Filter paper (25 pcs.)	1	1	1	1
Coffee measuring cup	1	1	1	1
Water measuring cup	-	-	1	1
Coffee fur remover	1	1	1	1
Scale remover	1	1	1	1
Manual	1	1	1	1

Please contact your dealer if any parts are missing or damaged.

## 3.2 Installation

---

### CAUTION

- Water always remains in the heating system: for this reason the appliance must not be placed in an area where the temperature can fall below freezing point.
- 

### 3.2.1 Preparation for positioning the appliance

- Position the appliance at buffet height on a firm, level base that can bear the weight of the appliance when it is filled.
- Position the appliance level and in such a way that it cannot cause any damage if it leaks.
- The power connection must be situated within half a metre of the appliance.
- The owner must have these installation-technical preparations performed by qualified engineers in accordance with general and local regulations.
- The service engineer may only connect the appliance to the prepared connections.

### 3.2.2 Electrical connection

Supply voltages and frequencies can differ between countries. Check if the appliance is suitable for connection to the local power mains. Check if the details on the type plate correspond. Connect the appliance to an earthed wall socket.

### 3.2.3 Water drainage

The water reservoir has a maximum content of 2.7 litres. If the reservoir is overfilled, the excess water will be discharged via the drain at the bottom of the appliance. Take this into account when positioning the appliance.

---

### WARNING

- Ensure that the mains lead does not come into contact with the hot plates (if present).
- 

### 3.2.4 First time use

When used for the first time the appliance works according to the standard factory settings. The various settings can be altered by authorised personnel. See chapter 5. Settings.

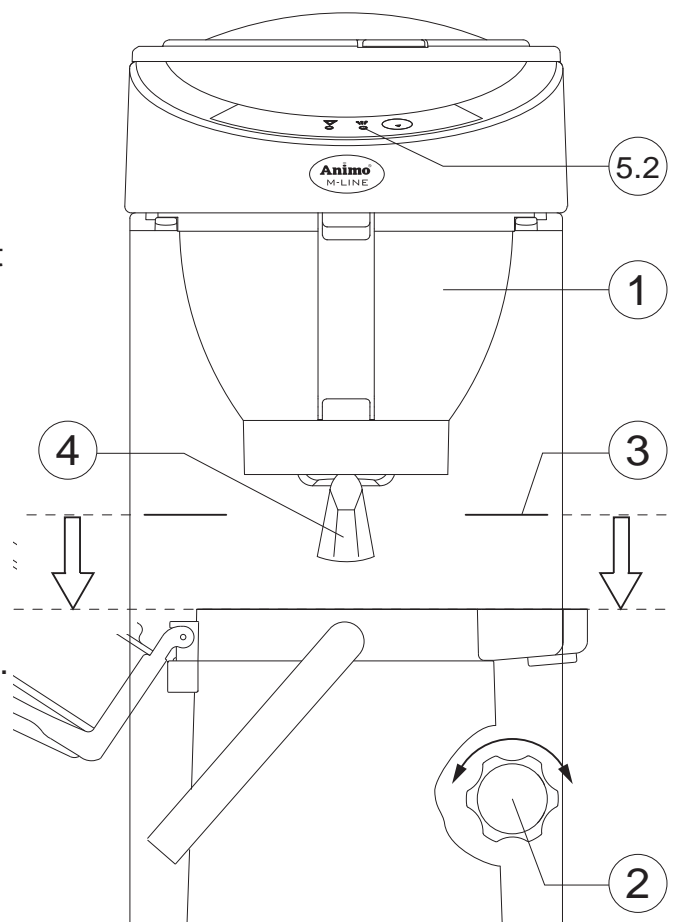
1. Slide an empty basket filter (3) into the appliance and place an empty jug (with lid) underneath it. NB! For the MT100(v) model leave the lid of the thermos jug with pump open and leave the riser tube in the jug. Adjust the height of the MT100V before positioning it. See 3.2.5.
2. Pour one jug (water measuring cup, MT-model) of cold water into the cold water reservoir (6).
3. Wait for three minutes so that the entire heating system can de-aerate.
4. Check if the on/off switches (1 + 2, if present) are at position O.
5. Put the plug in the socket.

6. Switch on the appliance by setting the on/off switch (1) to the I position. The indicator lights (5.1 and 5.2) will light up and an audible signal will sound. The green indicator light (5.2) will now light up until the appliance has finished making the coffee.
7. When the appliance has finished making the coffee, a signal will sound three times after about 1.5 minutes and the green indicator light (5.2) will go out.
8. Follow the above steps again for the other coffee making section if the model has a double coffee making system (M102).
9. The appliance is ready for use when the jug has been emptied.

### 3.2.5 Height setting model MT100v

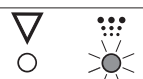
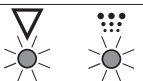

The MT200v model is height adjustable. Follow the steps below to optimally set the appliance to the height of the thermos flask being used.

1. Slide the basket filter (1) into the appliance.
2. Grasp the top part of the appliance and turn the adjustment button (2) a half-turn anti clockwise.
3. Lift the top part of the appliance upwards.
4. Place the thermos jug you intend to use at the base of the appliance.
5. Now slowly allow the top section to go down until the marking line (3) on the column is level with the top side of the thermos jug. (This column height adjustment must be done with the top open if the appliance is used in combination with a thermos jug with a pump).
6. Tighten the adjustment button (clockwise).
7. After repositioning, check if the thermos jug properly presses in the jug detector handle (4) (the green indicator light (5.2) must not blink when a coffee making process begins).



### 3.2.6 Setting the descale indicator

Scale deposits are left in the heating system when the appliance is used. The amount of scaling depends on the hardness of the water being used. The coffee maker is fitted with a descale indicator light (5.1), which lights up when the heating system has processed a certain quantity of water and has to be descaled. The appliance continues to work so that it can be descaled when it is not being used.

Position	Indication lights	Brewing processes	Hardness		
			°D	mmol/l	°f
Soft		512	< 8	< 1,44	< 14
Normal*		256	8 – 12	1,44 – 2,16	14-21
Hard		128	> 12	> 2,16	> 21

\*Standard setting

If you are unaware of the hardness of your tap-water, you are advised to contact your local water supply company.

Set the appliance to your water hardness as follows, using the table above as a guideline.

1. Switch off the appliance (1)
2. Hold in the Selection button (5.3) and switch the appliance back on.
3. Press the Selection button (5.3) until the right indicator light (5.1 / 5.2) lights up. (E.g. only the red lamp should light up for hard water).
4. Wait for 6 seconds. The water hardness has now been set.

### 3.2.7 Resetting the descale indicator light

After the descaling procedure (see chapter 6.2.1) hold in the selection button for 6 seconds. The descale indicator light will now go out.

## 4. DAILY USE

### NOTICE

- The leak stop can only work if the jug detector is pressed in sufficiently by the jug. If you use a coffee jug with a narrow neck the jug detector will not be pressed in sufficiently and the appliance will not start.

When using the appliance you may find that certain settings do not entirely match your requirements.

- Chapter 5 explains how all settings can be adjusted by qualified personnel.
- Chapter 6 explains how the appliance must be maintained by qualified personnel.

### 4.1 Drip stop

This appliance is fitted with a drip stop that ensures that no coffee drips out of the filter when you:

- Briefly take away the jug during the brewing process: the jug detector (9) 'sees' that you have removed the jug and interrupts the brewing process. A short audible signal will sound and the green indicator light (5.2) will flicker. The brewing process will resume when you replace the jug.
- Take away the jug after making coffee.
- After making coffee take the filter out of the appliance to empty it.

### NOTICE

Basic instructions for brewing coffee

- Use fine-grind coffee.
- Keep the jugs and the basket filter clean.

### 4.2 Coffee quantity

The amount of coffee can be measured using the coffee measuring cup supplied and generally amounts to 35 to 50 grams per litre.

Jug	Glass jug	Thermos jug	Thermos jug with pump	Thermos container
Content	1.8 litres	1.8 litres	2.2 litres	2.4 litres
Coffee	65-90 grams	65-90 grams	75-110 grams	85-120 grams



### 4.3 Making coffee

1. Place a sheet of basket filter paper containing the desired amount of coffee (fine grind type) in the basket filter. See the table above for the amount of coffee required.
2. Slide the basket filter (1) into the appliance.
3. Use a jug or water measuring cup (MT models) to pour fresh cold water into the opening (6).
4. Then place the jug, with the lid on it, under the filter. NB! With the MT100 model open the lid of the thermos jug with pump and leave the riser tube in the jug.
5. Switch on the appliance using the on/off switch (1). The lamp in the switch will go on and the lower hot plate will switch on. The green indicator light (5.2) will light up and the coffee brewing process will begin.
6. Once the coffee brewing process has been completed the green indicator light (5.2) will go out and an audible signal will sound three times, indicating that the coffee is ready. The jug can be removed before the filter has been completely emptied. Once the filter has been cleaned you can immediately resume making coffee.
7. Pour out the coffee or place the jug on the top hot plate (8) (except for the MT models). The top hot plate is switched on separately using on/off switch (2). Always switch off the extra hot plate when it is not being used.
8. After cleaning the basket filter, the appliance can immediately be used to make the next serving of coffee.

### 4.4 Making tea

This appliance can of course also be used to make tea using teabags.

- Basic rule: never use a basket filter or a (thermos) jug that has already been used to make coffee. The coffee remnants will adversely affect the flavour of the tea.
- To make tea you should therefore always use a separate glass jug/thermos jug and basket filter that have not been used to brew coffee!
- Place the teabags in the basket filter without using a paper filter or place/hang them in the jug. Tea is made using the same method as for brewing coffee, but without using paper filters or coffee.

### 4.5 Termination of the brewing process?

- Switch the on/off switch (1) to 'off', and the process will stop. The process will continue when the on/off switch is switched back to 'on'.
- Remove the jug from under the filter. The jug detector (9) will temporarily interrupt the coffee making process and the leak stop will prevent the filter (3) from dripping. The green indicator light (5.2) will flicker, and a short audible signal will sound. When the jug is replaced under the filter the coffee brewing process resumes and will be completed.

---

## 5. SETTINGS

---



### NOTICE

- The prewet function can only be activated when the descale indicator light (5.1) does not lights. When the descale indicator light (5.1) lights first descale the coffee system, see chapter 6.2 Descaling. After descaling reset the descale indicator light, see chapter 6.2.1 Switching-off the descale indicator light.
- 

### 5.1 Setting of the prewet function

This appliance can make coffee using two methods:

- **Continue-brew;** (factory setting); The coffee making process begins immediately and will pour hot water over the ground coffee without a waiting time.
- **Prewet-brew;** part of the hot water is first poured onto the ground coffee. This causes the coffee to rise so that the smells and flavours are released. The coffee making process then begins.

If you want to set the appliance to Prewet brew, this setting can be changed as follows:

1. Press the programme button (5.3) until the green indicator light (5.2) lights.
2. Press the programme button (5.5) again. The green indicator light (5.2) goes out and the red indicator light (5.1) lights up.
3. Wait for 6 seconds. The Prewet brew function has now been saved.
4. How to switch off the prewet brew function; enter the same actions and change the indicator light from red (5.1) to green (5.2).

## 6. MAINTENANCE

---

### WARNING

- The appliance must not be submerged or sprayed.
  - Never clean the hot plates (if present) with an abrasive or sharp object. This way scratches on the teflon surface will be prevented.
- 

### 6.1 Cleaning of the appliance and accessories

- Clean the outside of the appliance with a clean, damp cloth, if necessary using a mild (non-abrasive) cleaning agent.
- Do not use an abrasive, as this will leave scratches and dull patches.
- The glass jugs and the basket filter can be washed normally and rinsed clean. Please note, however, that it is inadvisable to clean the basket filter in an industrial dish washer as its lightness may cause it to float and sustain damage.
- The thermos jug, thermos jug with pump and the filter can be rinsed with hot water.
- The coffee deposit in the coffee jugs and the filter can be cleaned with Animo coffee fur remover. The appliance is supplied with one sachet of coffee fur remover. It is easy to use.

#### 6.1.1 Removing coffee deposits from glass jug and filter

1. Fill a tray with approx. 5 litres of warm water and dissolve a sachet of coffee fur remover in it.
2. Place the parts you want to clean in this solution and leave them to soak for 15 to 30 minutes.
3. Then rinse them several times with hot water, and repeat when necessary.
4. Sprinkle the powder on to heavily soiled parts and clean them with a wet brush.

#### 6.1.2 Removing coffee deposits from thermos jug

1. Dissolve a quantity of coffee fur remover in warm water: use approx. 2 grams per litre.
2. Fill the thermos jug with this solution.
3. Leave the solution to soak for 15 to 30 minutes, then pour it away.
4. Rinse the jug thoroughly with hot water and repeat this several times.

**CAUTION** 

- Stay close to the appliance when performing maintenance.
- It is advisable to wear safety glasses and protective gloves when descaling the appliance.
- Flush the appliance at least two times after descaling it.
- Wash your hands thoroughly after descaling the appliance.

## 6.2 Descaling

Scale deposits are left in the heating system when the appliance is used. The amount of scaling depends on the hardness of the water being used. The appliance is fitted with a descale indicator light (5.1), which lights up when the heating system has processed a certain quantity of water and has to be descaled. The appliance continues to work so that it can be descaled when it is not being used.

 **NOTICE**

- Observe the descaling intervals indicated by the descale indicator light. Overdue maintenance to the heating system can result in high repair costs and annulment of the guarantee.

1. Before descaling the appliance, carefully read the instructions for use on the scale remover. We advise you to use the tried and tested Animo scale remover.
2. Dissolve one 50 gram sachet of Animo scale remover in 1 litre of warm water (approx. 60-70°C).
3. Slide an empty basket filter (3) into the filter holder and place an empty jug under it.
4. Carefully pour the solution into the reservoir (6) and switch on the appliance (1). The solution will now run through the heating system and discharge into the jug. Leave the lid of the reservoir open!
5. Switch off the appliance using switch (1) after 1 minute.
6. Now wait about 2 minutes. The solution will react with the deposit in the heating system.
7. After the waiting time, switch the appliance back on and allow the rest of the solution to run through the system.
8. Wash away the solution in the jug until the filter has finished dripping.
9. After descaling the appliance, flush the system by following the coffee brewing procedure twice but without using filter paper or coffee. Remember to empty the jug in the meantime.
10. Switch off the appliance and thoroughly clean the basket filter and the jug.
11. The appliance is now ready for use.

### 6.2.1 Switching-off the descale indicator light

1. Press the selection button (5.3) for 6 seconds; the descale indicator light (5.1) will go out.
2. The control system resumes registering the number of brewing processes.

## 7. TROUBLESHOOTING

### WARNING

- Have all repairs to the electrical system performed by a qualified service technician.

If your appliance is not functioning correctly, use the troubleshooting guide below to see whether you can resolve the problem yourself. If not, please contact your dealer.

Troubleshooting guide coffee making selection		
Symptom:	Possible cause:	Action:
The appliance is not working and the lamps in the switch are not lighting up.	The fuse in the fuse box has been triggered, the group is loaded too heavily.	Replace the fuse or reset it. Connect the appliance to a separate group.
The brewing process indicator light (5.2) is flickering, no water is getting into the filter.	The jug indicator is not registering a jug. There is no jug under the filter.	Position a jug, use the correct jug.
The brewing process indicator light (5.2) is on, but no water is getting into the filter.	The dry-boil protection has been triggered.	Reset the dry-boil protection. See page 24. Safeguards; dry-boil protection.
The descale and brewing process indicator light are flickering in alternation. 1x green / 3x red.	The appliance has heated up for more than 20 minutes and completely shut down.	Reset the dry-boil protection. See page 24. Safeguards; dry-boil protection. Switch off the appliance and then turn it back on again. The error message will disappear.
The descale indicator light (5.1) has come on.	The scale deposits in the heating system exceed the set limit.	Descal the appliance, see chapter 6.2 Descaling.
The descale indicator light (5.1) remains on after descaling the appliance.	The appliance has not yet been reset.	Press the programme button (5.3) for 6 seconds. The light will go out. See chapter 3.2.7 Resetting the descaling indicator light.
Steam is coming from the filter.	The appliance was not descaled when indicated by the descale indicator light or the wrong water setting has been applied.	Descal the appliance, see chapter 6.2 Descaling. See chapter 3.2.6 Setting the descaling indicator.

## Troubleshooting guide coffee making selection

Symptom:	Possible cause:	Action:
Coffee is dripping out of the filter when there is no jug under it.	The leak stop valve on the outlet of the filter is soiled or damaged.	Clean the filter and check the leak stop valve for damage.
The coffee is too strong.	Too much coffee has been placed in the filter.	Reduce the amount of coffee.
The coffee is too weak.	Not enough coffee has been placed in the filter.	Increase the amount of coffee.
	The water distributor is soiled, so that the coffee is not being completely drenched.	Unscrew the water distributor and clean it.
The coffee is not hot enough	There is no lid on the jug.	Use the lid.

## 8. CONSUMER ARTICLES AND ACCESSORIES

See the list below for the consumer articles and accessories available for the appliance. You can order these parts via your dealer, stating the details of the appliance given on the type plate, a description of the item, article number and quantity.

### Consumer articles

Description	Art.No.	Qty
Filter paper 90/250	01088	1 box 1000 pcs.
Coffee fur remover	49009	1 box 100 sachets (10 grams)
Scale remover	49007	1 box 48 sachets (50 grams)

### Accessories

Description	Art.No.	Qty
Filter with leak stop	99232	1
Permanent filter	01060	1
Coffee measuring cup	08090	1
Water measuring cup 2 ltr.	08341	1
Glass jug 1.8 ltr	08208	1
Thermos jug with pump 2.1 ltr	10419	1
Thermos jug with pump 2.2 ltr	10420	1
Thermos container 2.4 ltr.	50241	1
Drip tray thermos container	07942	1

# **Animo<sup>®</sup>** **M-LINE**

125424, г. Москва, Волоколамское шоссе, д. 88, стр. 8

Тел./факс: +74955404600

**РУССКИЙ ПРОЕКТ<sup>®</sup>**  
**www.rp.ru**