



# PRESIDENT

Distinctiveness of style



РУССКИЙ ПРОЕКТ  
WWW.RP.RU



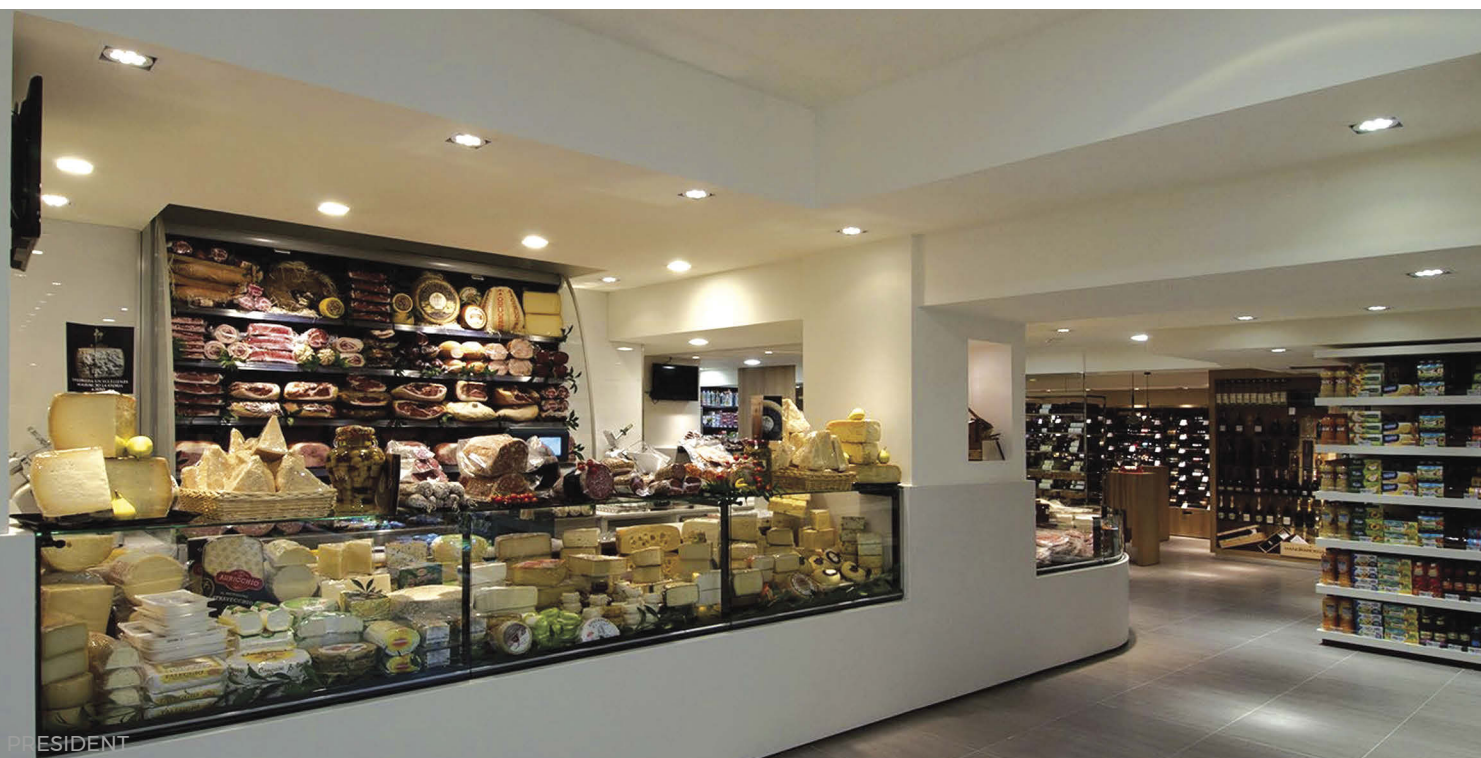


PRESIDENT

**РУССКИЙ ПРОЕКТ®**  
WWW.RP.RU

# WIDE MERCHANDISING DISPLAY. SUPERIOR VISIBILITY

At most exploitation of displayed food



PRESIDENT

**РУССКИЙ ПРОЕКТ**  
WWW.RP.RU

# ITALIAN STYLE DESIGN

Accordance between style and usability



PRESIDENT

**РУССКИЙ ПРОЕКТ®**  
WWW.RP.RU

# CARE OF DETAILS



PRESIDENT

**РУССКИЙ ПРОЕКТ®**  
WWW.RP.RU

# THE RANGE



BMM



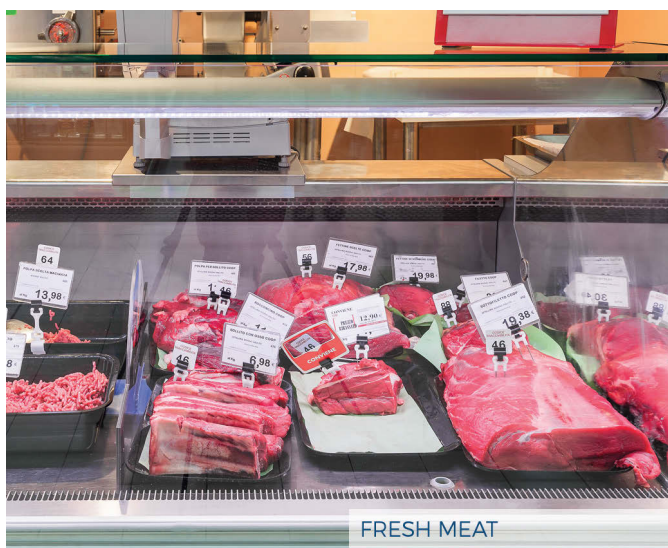
SELF-SERVICE



PASTRY



DELICATESSEN



FRESH MEAT



FISH

PRESIDENT

# DOUBLE STATIC

The perfect solution for meats preservation and display

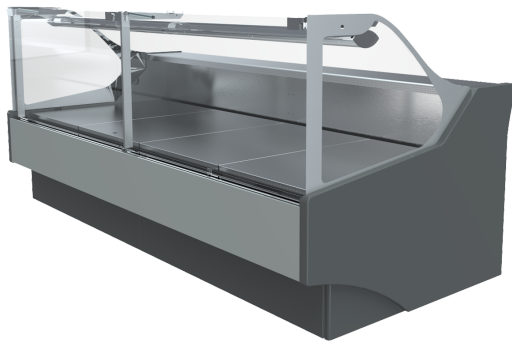


## EXCLUSIVE PASTORFRIGOR'S DESIGN













Refrigerated plates, lift-up by means of hydraulic pistons

# TECHNICAL FEATURES

## PRESIDENT



Standard RAL Colours (available for kick front and side panel)

 1015	 1021	 2011
 3002	 3020	 5005
 5012	 6018	 7035
 7037	 9006	 9010

### Standard Features:

- Multiplexable linear modules and corners
- Fan assisted cooling
- Front anti-mist ventilation
- Stainless steel display plates and internal body
- Single top lighting T8
- EC fans

### Optional Features:

- Movable and fixed divider
- T5 Lighting
- LED Lighting
- Intermediate glass shelf
- Plexiglass back closure
- Steps display plates
- Paper Holder
- Balance Holder
- Cutting Board
- Stainless steel bumper
- Mirrored sidewalls
- Control board master and slave

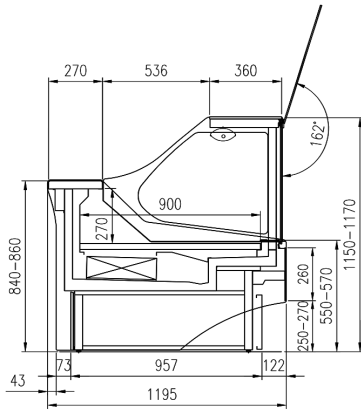
## PRESIDENT

	1875	2500	3125	3750	45° E	45° I	90° E	90° I	0937	937
Fresh Meat	•	•	•	•	•	•	•	•	•	•
Deli	•	•	•	•	•	•	•	•	•	•
Bread	•	•	•	•						•
Hot Food									•	•
Ice Cream		•		•						
Frozen Food		•		•						
Fish		•		•						
Pastry		•		•						

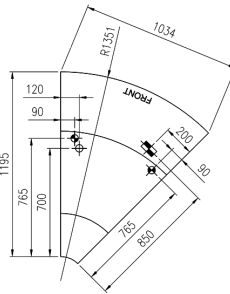


# CROSS SECTIONS

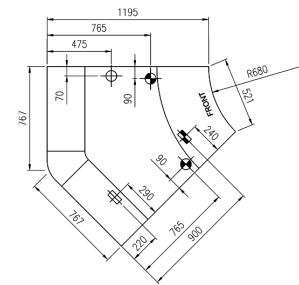
## PRESIDENT



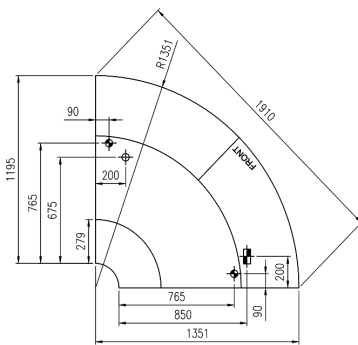
PRESIDENT Meat/Gastronomy



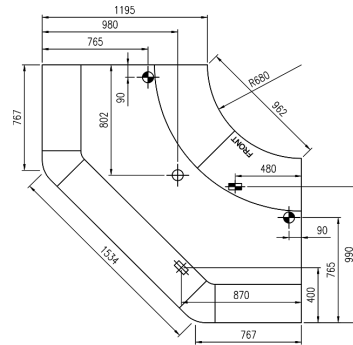
PRESIDENT 45°E



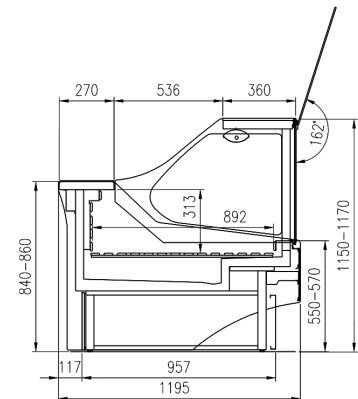
PRESIDENT 45°I



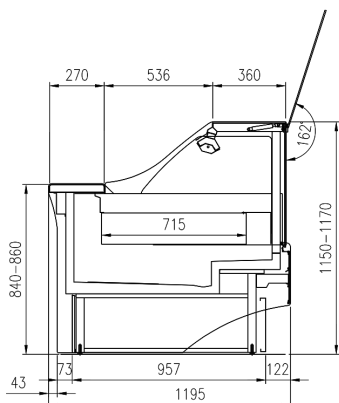
PRESIDENT 90°E



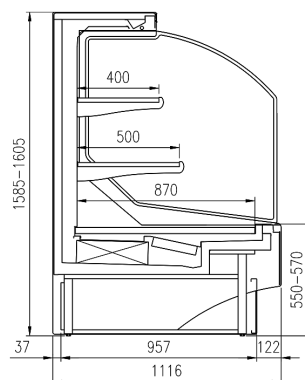
PRESIDENT 90°I



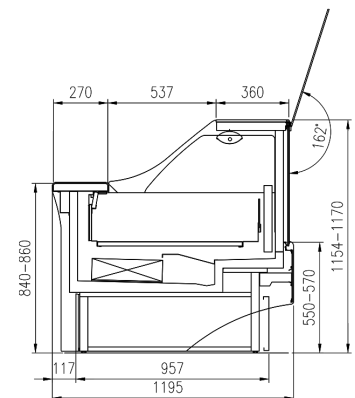
PRESIDENT Bread



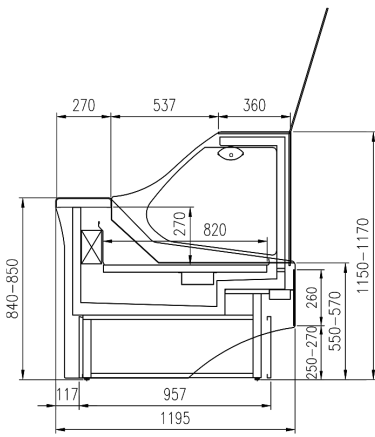
PRESIDENT Hot Section



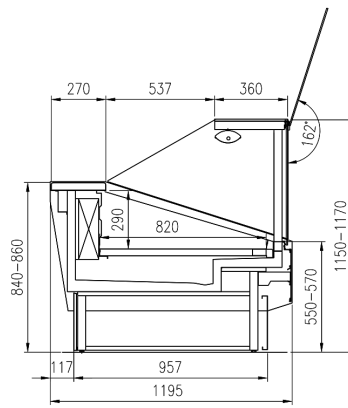
PRESIDENT BMM



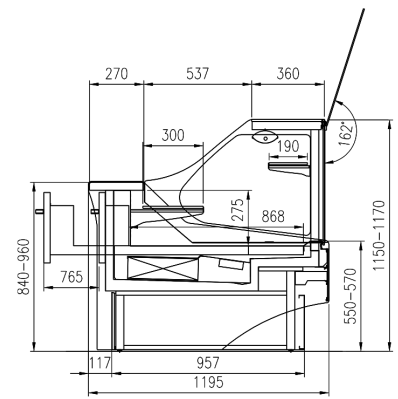
PRESIDENT Low Temperature



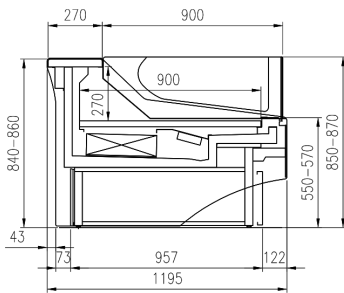
PRESIDENT Double Static



PRESIDENT Fish



PRESIDENT Pastry



PRESIDENT SS



125424, г. Москва, Волоколамское шоссе д. 88, стр. 8  
тел./факс: +74955404600

**РУССКИЙ ПРОЕКТ**®  
WWW.RP.RU

All the pictures and features related to the products being part of this catalogue,  
do not consider any change and/or update, and suggested configurations are not binding. Any reproduction is strictly forbidden.