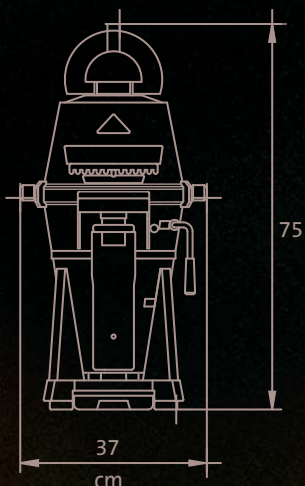
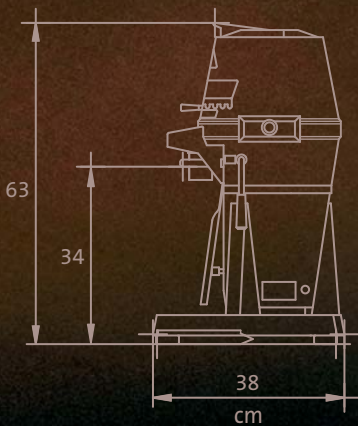
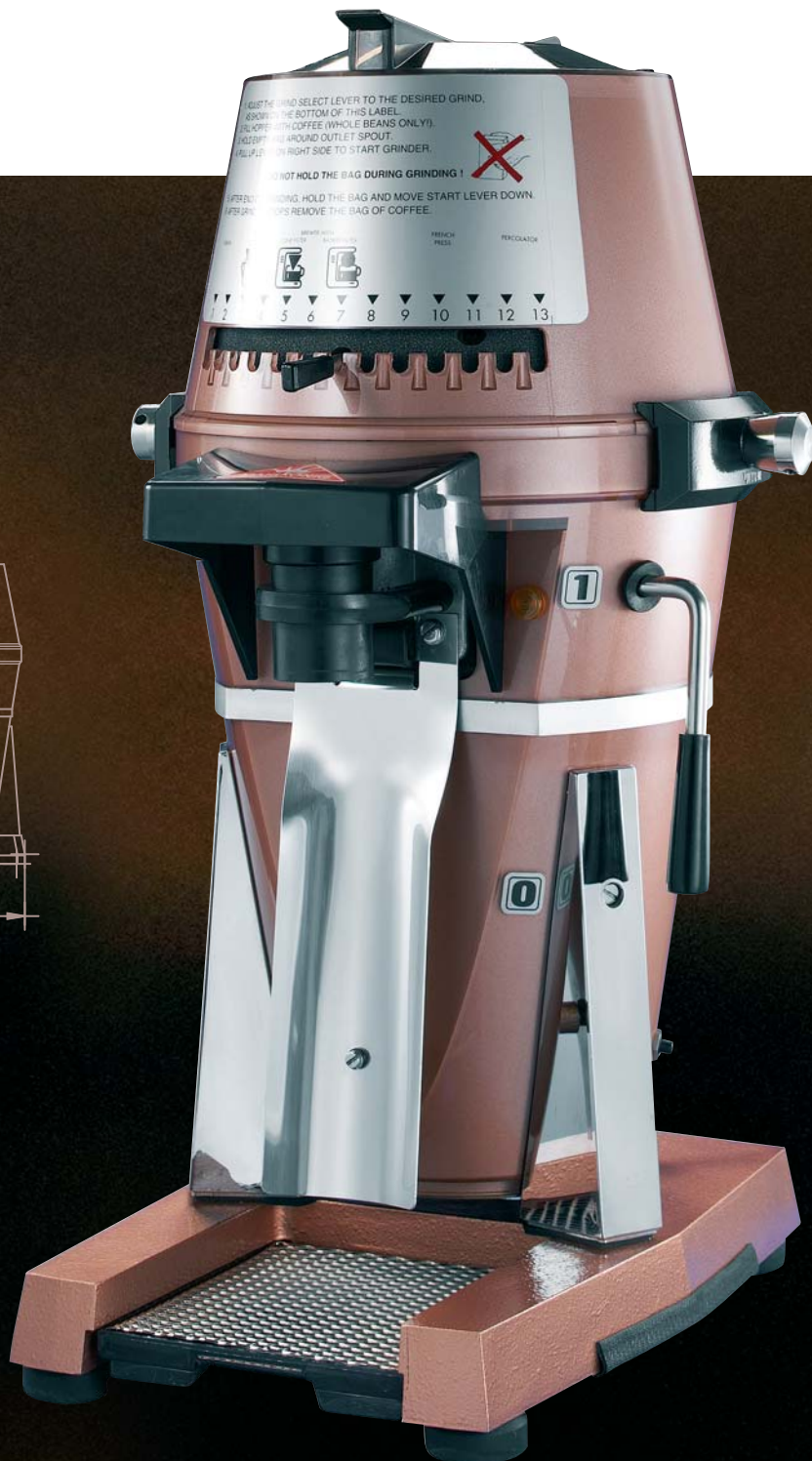


# VTA 6S

“The most powerful shop grinder”



VTA 6S3  
VTA 6S13



The professional art of grinding  
since 1924

**The most powerful shop grinder:**

- superb coffee quality because of extra fine and homogeneous grinding – as well for espresso and Turkish quality
- cool grinding due to integrated motor cooling or additional ventilation as an option

**High capacity:**

- high speed and reliable grinding up to 2750 g per minute

**Proven design:**

- classic MAHLKÖNIG design, symbolises quality and consistency
- grinder housing varnished in any colour

**Extras:**

- different grinding discs for regular coffee, espresso and Turkish available
- fast removable upper part allows easy cleaning
- large hopper
- raised outlet height, foot extension and frequency converter
- tungsten carbide discs offer up to ten times longer life time
- also available in self-service version

Type:	VTA 6S	VTA 6S FC	VTA 6ST	VTA 6ST FC	VTA 6SW	VTA 6SE	VTA 6SE FC	VTA 6SH FC	VTA 6S HMVC
<b>TECHNICAL DATA</b>									
Grinding capacity* - fine g/min	2500	1600	1500	989	1400	2300	1600	1600	2500
- medium	2750	1700	1800	1050	1600	2500	1700	1700	2750
- turkish fine			1000	850					
Hopper capacity, g (lbs)	1000 (2.2)	1000 (2.2)	1000 (2.2)	1000 (2.2)	1000 (2.2)	1000 (2.2)	1000 (2.2)	1000 (2.2)	3000 (6.6)
Dimensions, cm (W x H x D)	37 x 63 x 38	37 x 63 x 38	37 x 63 x 38	37 x 63 x 38	37 x 63 x 38	37 x 63 x 38	37 x 63 x 38	37 x 78 x 38	37 x 78 x 38
Voltage / Frequencies**	400V/50Hz	230V/50Hz	400V/50Hz	230V/50Hz	230V/50Hz	400V/50Hz	230V/50Hz	230V/50Hz	400V/50Hz
Motor rating, watts	2100	1500	2100	1500	1720	2100	1500	1500	2100
Overload protection	●	●	●	●	●	●	●	●	●
Phase	3~	1~	3~	1~	1~	3~	1~	1~	3~
Grinding disc tungsten carbide	○	○	○	○				●	●
Grinding disc diameter	120 mm	120 mm	120 mm	120 mm	120 mm	120 mm	120 mm	120 mm	120 mm
Net weight, kg (lbs)	42 (92.6)	45 (99.2)	42 (92.6)	45 (99.2)	42 (92.6)	42 (92.6)	45 (99.2)	45 (99.2)	45 (99.2)
<b>EQUIPMENT FEATURES</b>									
Finger protection/Hopper magnet	●	●	●	●	●	●	●	●	●
Bag holder									
Clamping / Vibrating sheet	●	●	●	●	●	●	●	●	
or Tip operation / Vibrating basket	●	●	●	●		●	●	●	●
Colours									
gold / silver / copper-bronze	●	●	●	●	●	●	●	●	●
grey-red structured	●	●	●	●	●	●	●	●	●
<b>SPECIAL FEATURES</b>									
Large hopper up to 3 kg (6.6 lbs)	○	○	○	○	○	○	○	○	●
Raised outlet height, 100 mm	○	○	○	○	○	○	○	○	
Ventilation	○	○	○	○	○	○	○	○	●
Frequency converter	○	●	○	●		○	●	●	
cast steel (1), steel (2) tungsten carbide (3)	(1) (2) (3)	(2) (3)	(2) (3)	(2) (3)	(2)	(2)	(2)	(3)	(3)
Colours according to RAL-standard	○	○	○	○	○	○	○	○	○

● standard ○ on request \* grinding capacity depending on the type of coffee, the roast and the degree of fineness \*\* other voltages on request